

## Portable Pressure Source Model PPS1100



### Description

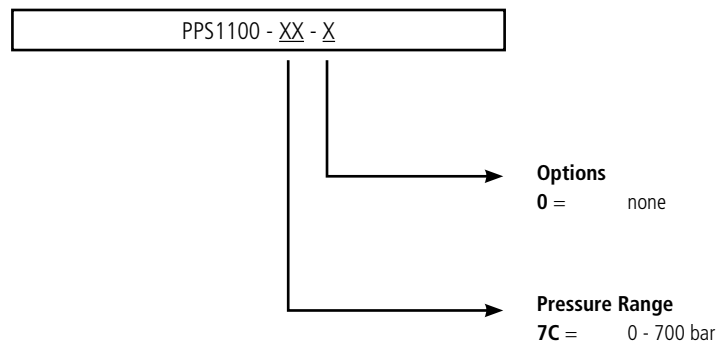
The Portable Pressure Source PPS1100 offers quick, efficient, and accurate means for checking pressure transducers in the field. To perform a pressure transducer test, simply remove the transducer from the process and install it in the pressure port on the PPS1100 manifold. Turn the PPS1100 on and select the required engineering unit. Adjust zero and pump the pressure source until the desired pressure readout on the PPS1100 to the pressure transducer readout to verify the transducer's accuracy.

### Features

- Rugged but easy to carry
- Weight 3.9 kg only
- Accuracy +/- 0.1%
- Battery powered > 200 days
- Multiple pressure adaptors available
- Pressure range of 0 - 700 bar
- Switch selectable bar / PSI / kPA
- Memory function up to 900 measurements
- Serial communication
- Various display and test functions

Technical Data / Operating Data	
Pressure Range:	0 - 700 bar
Units:	ar / PSI / kPA / mH <sub>2</sub> O
Pressure Port:	1/2" 20UNF others on request
Accuracy:	+/- 0.1% f.s.v.
Resolution:	100 mbar
Sample Rate:	500 ms
Memory:	900 positions (8000 optional)
Oil Volume:	57 ml (HLP 22 BP)
Battery:	3.6 V Lithium
Battery Life:	> 200 days
Operating Temperature:	0 °C to + 50 °C
Dimensions (DxWxH):	315 x 153 x 205 mm
Weight:	3.9 kg

## Order Specifications

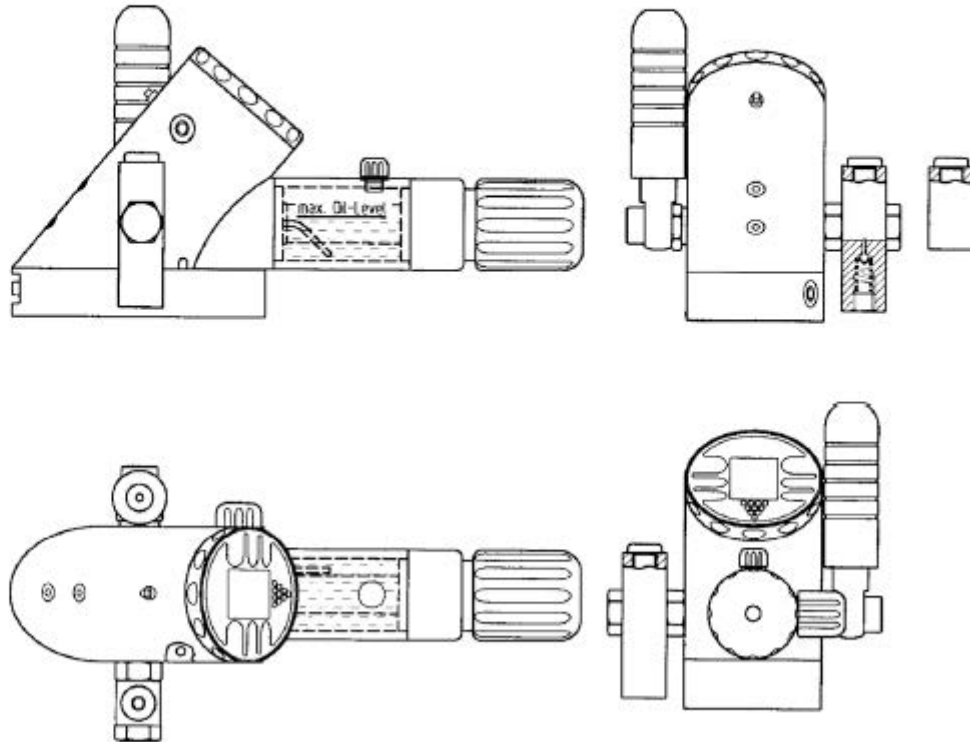


One adapter 1/2" 20UNF 2B is included at no additional charge.  
Other pressure ports on request.

## Dimensions

### Model PPS1100

Dimensions (D x W x H)                      315 x 153 x 205 mm



All dimensions are inches (mm) unless otherwise specified.  
 ©2016. Dynisco reserves the right to make changes without notice.  
 Refer to [www.dynisco.com](http://www.dynisco.com) for access to Operator Manual and other support documentation.  
 DSPT450TFA  
 Rev: 1218

CE EAC

 **Dynisco**

 **AZURR  
TECHNOLOGY**

**Azurr-Technology, s.r.o.**

Dolní Bečva 579    Tel.: +420 571 647 228  
 756 55            Tel.: +420 571 647 310  
 Česká republika    Email: [info@azurr-tech.cz](mailto:info@azurr-tech.cz)  
    [www.azurr-tech.cz](http://www.azurr-tech.cz)



Všechny rozměry jsou uvedeny v palcích (mm), pokud není uvedeno jinak. © 2016.  
 Společnost Dynisco si vyhrazuje právo provádět změny bez předchozího upozornění.  
 Přístupy k dokumentům jako jsou návody k obsluze a jiné podpůrné dokumenty  
 naleznete na [www.dynisco.com](http://www.dynisco.com)  
 Rev.:1216