

# PT4195 | TPT4195

## Alternate Fill Melt Pressure Sensors (Oil)

*Ideal For Food Or Medical Applications*



### Description

The PT4195 Series transmitter is a  $\pm 0.5\%$  sensor ideal for food or medical applications requiring simple installation, repeatability and reliability. The food grade oil fill material meets the requirements set forth by both the USDA and the FDA. The PT4195 transmitters provide the industry standard 0 - 5 Vdc amplified signal designed to work with DCS and PLCs. Optional thermocouple or RTD configurations are available to provide melt temperature. The PT4195 features a 1/2-20 UNF thread for simple and easy installation in standard transducer mounting holes.

### Features

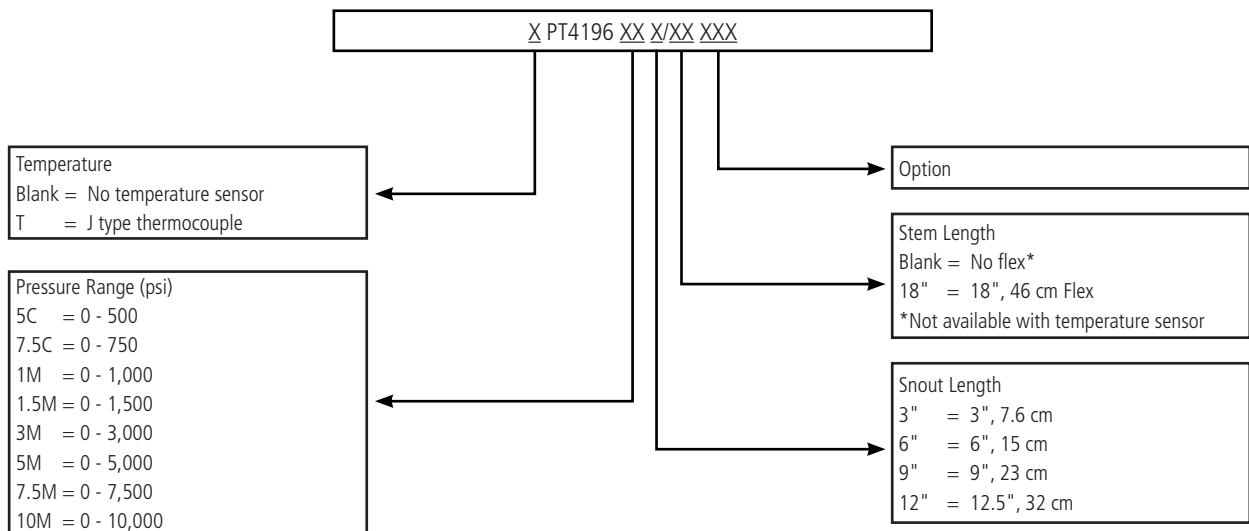
- Adjustable zero and span
- Oil fill meets FDA and USDA requirements
- Accuracy better than  $\pm 0.5\%$
- Dymax® coated convoluted SST wetted parts
- 0 - 5 Vdc output
- Internal 80% shunt calibration

Performance Characteristics	
Output:	0 - 5 Vdc
Input Voltage:	11 - 36 Vdc
Accuracy:	±0.5% FSO
Repeatability:	±0.2%FSO
Configuration:	Four-arm bonded foil Wheatstone bridge strain gage
Load Resistance:	2,000 Ohms minimum
Over Pressure:	2 X FSO
Zero Balance Adjustment Range:	±15%
Span Balance Adjustment Range:	±15%
Internal Shunt Calibration (R-Cal):	80% FSO ±0.5%

Temperature & Mechanical Characteristics	
Max Diaphragm Temperature:	617°F (315°C)
Recommended Max Diaphragm Temperature for Extended Product Life:	527°F (275°C)
Zero Shift (due to temperature change):	36 psi/100°F Typical (65 psi/100°C)
Electronics Operating Temperature:	-20°F to 185°F (-25°C to 85°C)
Zero Shift (due to temperature change):	±0.05% FS/°F max (±0.10% FS/°C max)
Span Shift (due to temperature change):	±0.02% FS/°F max (±0.04% FS/°C max)
Mounting Torque:	500 inch/lbs. maximum
Standard Wetted Parts:	Dymax® coated 15-5 PH SST

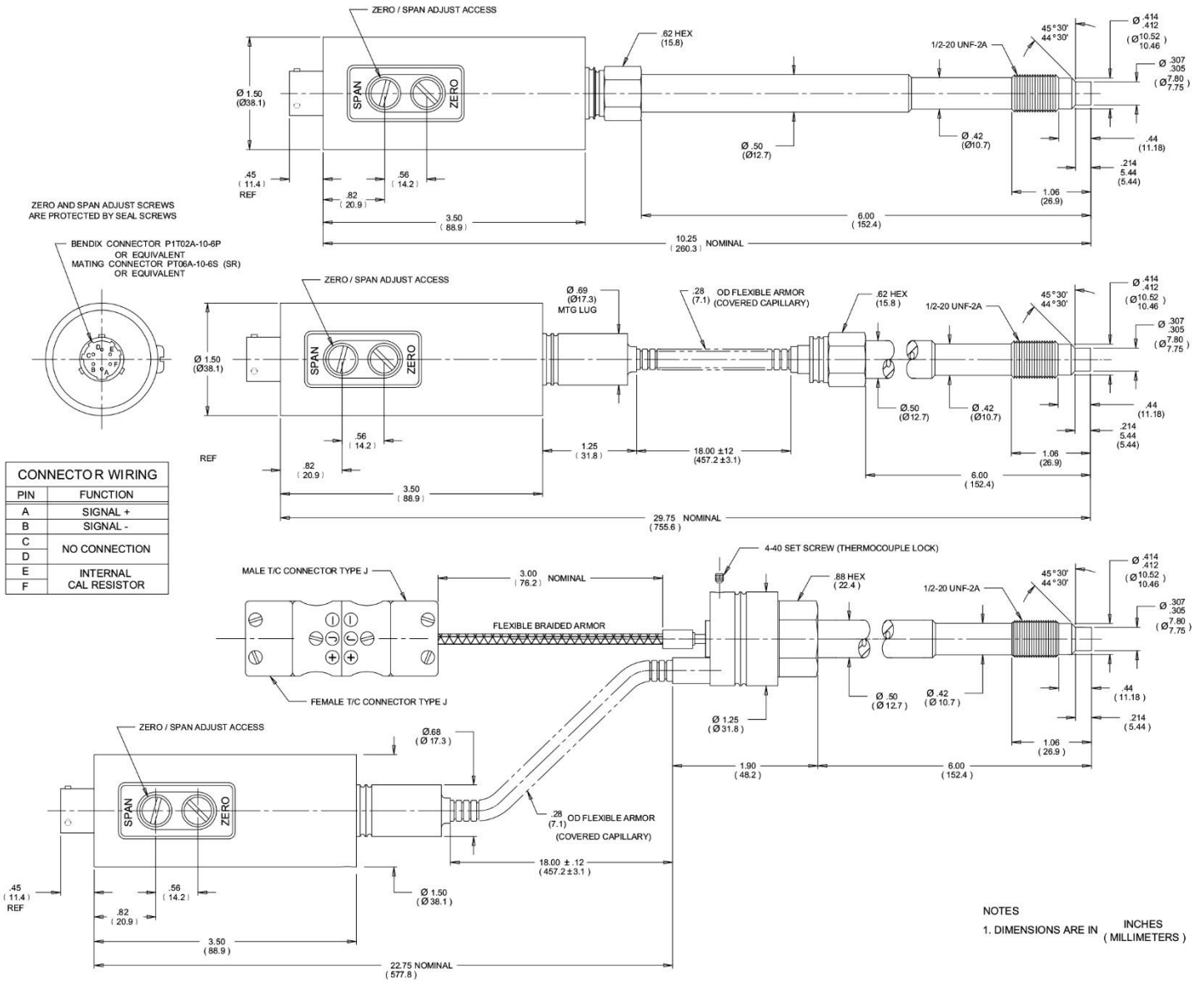
Fill material meets FDA requirements 21 CFR 178.3620, 21 CFR 172.878, and 21 CFR 573.680

## Ordering Guide for PT4195 Series



Standard mating connector Dynisco P/N 711600 or 6-pin mating connector cable assembly. Accuracy may be affected if non-standard configurations are used. For additional options please consult factory.

# Dimensions



Azurr-Technology, s.r.o.

Dolní Bečva 579  
756 55  
Česká republika

Tel.: +420 571 647 228  
Tel.: +420 571 647 310  
Email: info@azurr-tech.cz  
www.azurr-tech.cz



Všechny rozměry jsou uvedeny v palcích (mm), pokud není uvedeno jinak. © 2016. Společnost Dynisco si vyhrazuje právo provádět změny bez předchozího upozornění. Přístup k dokumentům jako jsou návody k obsluze a jiné podpůrné dokumenty naleznete na [www.dynisco.com](http://www.dynisco.com)  
Rev.:1216