

PT4675 | PT4676

Pressure sensor

Amplified Output Melt Pressure Transmitters
for Space Restricted Areas



Description

Dynisco models PT4675 and PT4676 offer a 0.06" exposed diameter capillary to allow a 1/16" radius bend for mounting in tight spaces. Each model has a built - in amplifier to provide 0 to 5 Vdc (PT4675), 1 to 6 Vdc (PT4675B), 0 to 10 Vdc (PT4676) or 1 to 11 Vdc (PT4676B) output to a DCS or computer system.

Features

- Better than $\pm 0.5\%$ accuracy
- 0 to 5 Vdc, 1 to 6 Vdc, 0 to 10 Vdc, 1 to 11 Vdc outputs
- 0 - 500 to 0 - 30,000 psi
- Internal 80% shunt calibration
- Adjustable zero and span
- Exposed, bendable capillary

Performance Characteristics

Ranges (psi):	0 - 500, 0 - 750, 0 - 1,000, 0 - 1,500, 0 - 3,000, 0 - 5,000, 0 - 7,500, 0 - 10,000, 0 - 15,000, 0 - 20,000, 0 - 30,000
Accuracy:	±0.5% FSO
Repeatability:	±0.2% FSO
Mounting Torque:	500 inch - lbs. maximum
Maximum Pressure:	2 x full range or 35,000 psi (whichever is less)
Material in Contact with Pressure Media:	15 - 5 PH stainless steel, DyMax™ coated
Weight:	2 lbs

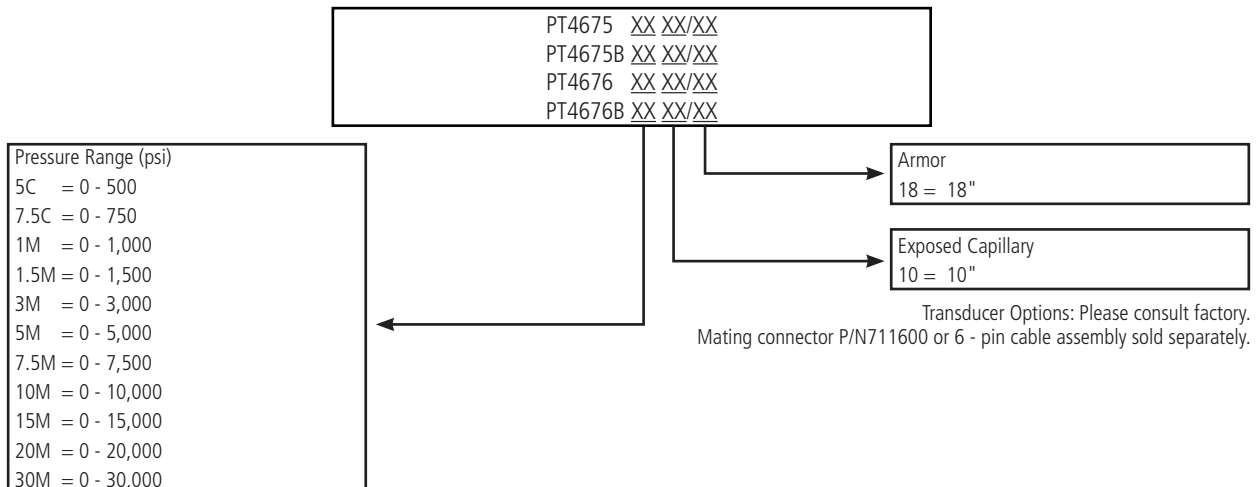
Temperature Characteristics

Transducer Diaphragm:	
Maximum Diaphragm Temperature:	750°F (400°C)
Zero Shift due to Temperature Change:	25 psi/100°F (45 psi/100°C)
Electronics Housing:	
Operating Temperature Range:	-20°F to +160°F (-29°C to +71°C)
Temperature Effects Over a Compensated Range of +30°F to +160°F (-1°C to +71°C):	
Thermal Effect on Zero:	±0.05% full scale/°F
Thermal Effect on Span:	±0.02% full scale/°F

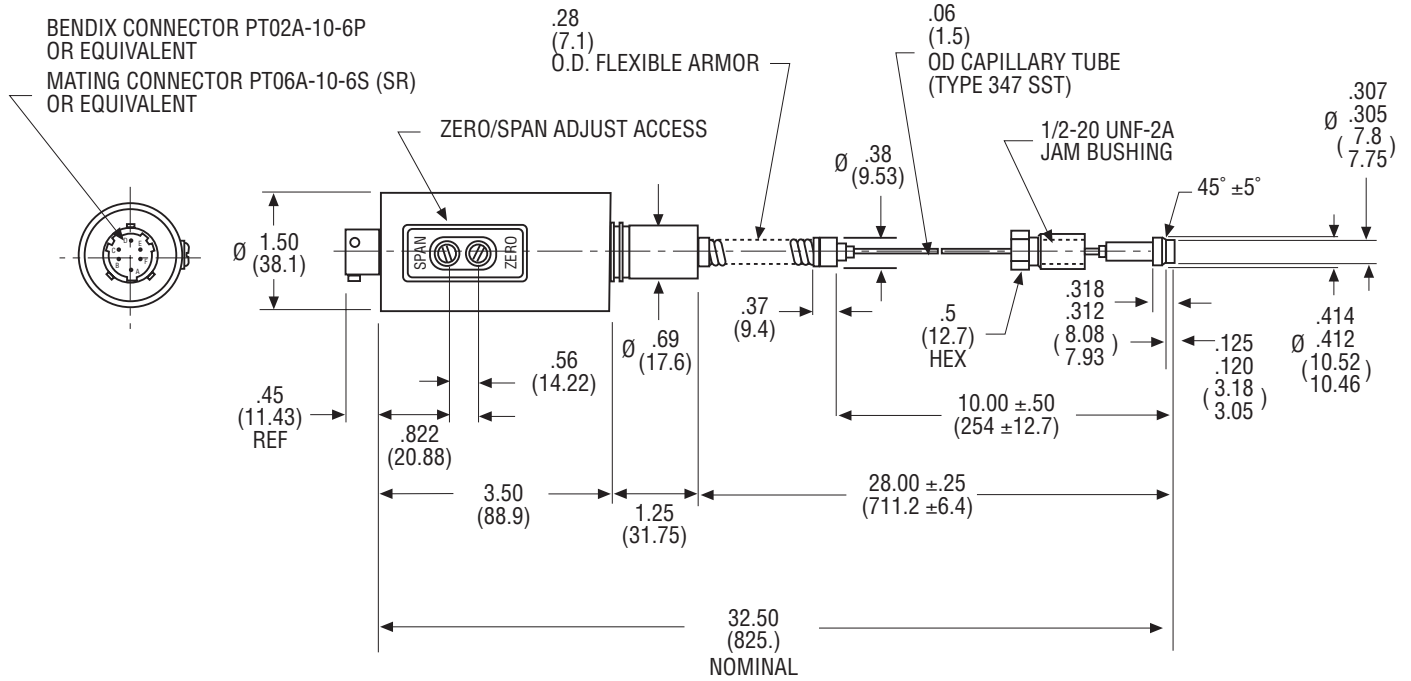
Electrical Characteristics

PT4675:	
Output:	0 to 5 Vdc
Input Voltage:	11 to 36 Vdc
Load Resistance:	2,000 Ohms minimum
Zero Balance Adjustment Range:	±15%
Span Adjustment Range:	±15%
PT4675B:	
Output:	1 to 6 Vdc
Input Voltage:	11 to 36 Vdc
Load Resistance:	2,000 Ohms minimum
Zero Balance Adjustment Range:	±15%
Span Adjustment Range:	±15%
PT4676:	
Output:	0 to 10 Vdc
Input Voltage:	16 to 36 Vdc
Load Resistance:	2,000 Ohms minimum
Zero Balance Adjustment Range:	±15%
Span Adjustment Range:	±15%
PT4676B:	
Output:	1 to 11 Vdc
Input Voltage:	16 to 36 Vdc
Load Resistance:	2,000 Ohms minimum
Zero Balance Adjustment Range:	±15%
Span Adjustment Range:	±15%

Ordering Guide for PT4675 & PT4676



Dimensions



All dimensions are in inches (millimeters) unless otherwise specified



Azurr-Technology, s.r.o.

Dolní Bečva 579
756 55

Česká republika

Tel.: +420 571 647 228

Tel.: +420 571 647 310

Email: info@azurr-tech.cz

www.azurr-tech.cz



Všechny rozměry jsou uvedeny v palcích (mm), pokud není uvedeno jinak. © 2016. Společnost Dynisco si vyhrazuje právo provádět změny bez předchozího upozornění. Přístupy k dokumentům jako jsou návody k obsluze a jiné podpůrné dokumenty naleznete na www.dynisco.com Rev.:1216