

PT199 Pressure Transmitter

TROUBLE FREE OPERATION

Description

Dynisco's PT199 pressure transmitter is designed to measure gas turbine pressure around the world. It provides information on various gas turbine system pressures for both gas and fuel flow control and/or turbine firing temperature control.

Features

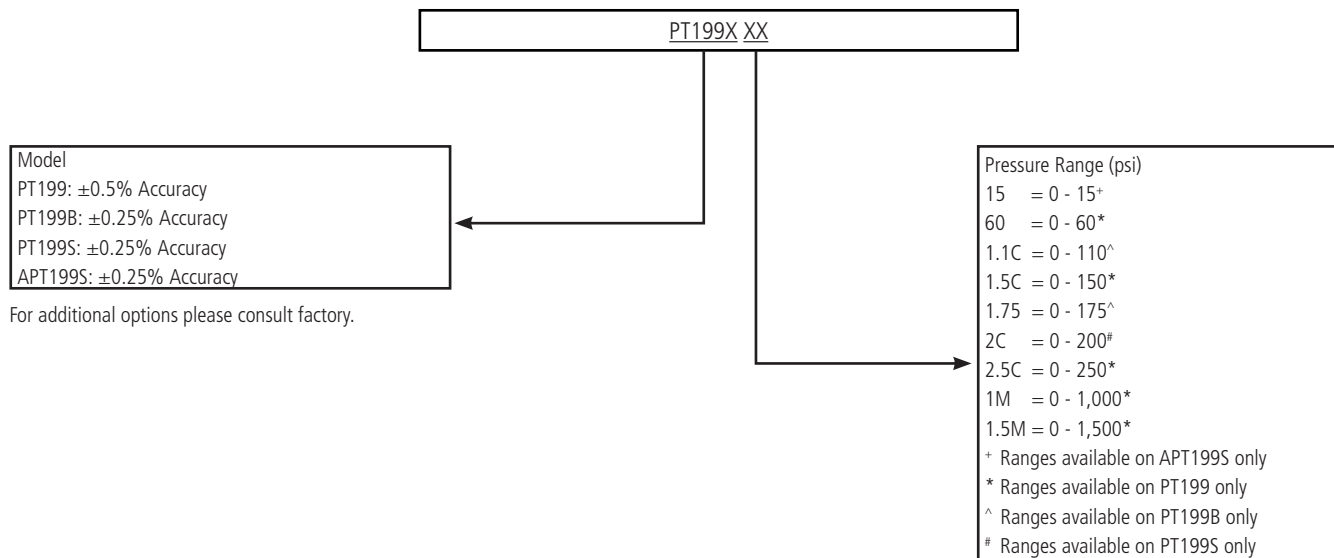
- Accuracy $\pm 0.25\%$ on models PT199B, PT199S, APT199S and $\pm 0.5\%$ Accuracy on model PT199
- Stainless steel construction
- Sealed zero and span potentiometers
- Tight temperature compensation
- Ranges 0-15 PSI through 0-15,000 PSI
- Advanced electronic design



Performance Characteristics	
Pressure Range (psi):	0-15 through 0-1500
Accuracy:	±0.25% FSO including linearity, hysteresis and repeatability; PT199 ±0.5% FSO
Full Scale Output:	4-wire 0-5 Vdc
Zero Balance:	±0.05 Vdc
Electrical Characteristics	
Excitation:	±12 Vdc for FM approved explosion proof units 28 Vdc max.
Connection:	1/2" NPT male thread or 3/8" flared tube fitting
Internal Shunt Calibration:	80% ±0.5% full scale typical (±1.0% maximum)
Excitation:	10 Vdc recommended, 15 Vdc maximum

Temperature Characteristics	
Operating Range:	+170°F (76.7°C) maximum
Temperature Effect On Zero:	Range dependent
Temperature Effect On Span:	Range dependent
Mechanical Characteristics	
Pressure Connections:	1/2" NPT male thread
Proof Pressure:	2 x rated pressure
Materials Of Construction:	Stainless steel
Housing:	303, 304 SST
Wetted Parts:	15-5 SS
Weight:	1.6 lbs
FM Approvals:	Class 1, Division 1 Groups A, B, C & D
Electrical Connections	
1/2" NPT(M) Conduit connection, four conductor #22 AWG 72" in length	
Color:	Function:
Red	+ Signal
Black	- Signal
White	+ Excitation
Green	- Excitation

Ordering Guide for PT199 Series



Dimensions

