

PT4655 XL | PT4656 XL

Pressure sensor

Amplified Output Nozzle Pressure Transducers for Injection Molding Applications



Description

Models PT4655XL and PT4656XL measure polymer melt pressure in an injection molding machine nozzle or a hot runner. A protective flexible armored cable extends from its electronic housing to the tip for unmatched strength and increased life. Each model has a built-in amplifier to provide 0 to 5 Vdc (PT4655XL), 1 to 6 Vdc (PT4655BXL), 0 to 10 Vdc (PT4656XL) or 1 to 11 Vdc (PT4656BXL) output to data acquisition or SPC/SQC programs. The amplified signal offers better resistance to noise than standard mV/V strain gage outputs.

Features

- 1" flex bend radius
- Inconel 718 diaphragm
- Free spinning jam nut
- Better than $\pm 0.5\%$ accuracy
- Up to 750°F (400°C) melt temperatures
- Adjustable zero and span
- 0 to 5 Vdc, 1 to 6 Vdc, 0 to 10 Vdc or 1 to 11 Vdc outputs

Performance Characteristics

Ranges (psi):	0 - 3,000, 0 - 5,000, 0 - 7,500, 0 - 10,000, 0 - 15,000, 0 - 20,000, 0 - 30,000
Accuracy:	±1% FSO
Repeatability:	±0.2% FSO
Mounting Torque:	500 inch - lbs. maximum
Maximum Pressure:	2 x full range or 35,000 psi (whichever is less)
Material In Contact With Pressure Media:	Inconel 718
Weight:	2 lbs.

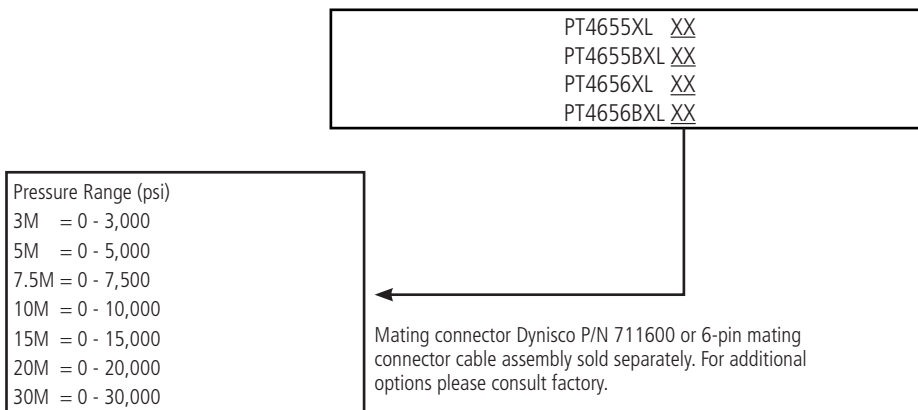
Temperature Characteristics

Transducer Diaphragm:	
Maximum Diaphragm Temperature:	750°F (400°C)
Zero Shift Due To Temperature Change:	<20 psi/100°F (36 psi/100°C)
Electronics Housing:	
Operating Temperature Range	-20°F to +160°F (-29°C to +71°C)
Temperature Effects Over A Compensated Range +30°F To +160°F (-1°C To +71°C):	
Thermal Effect On Zero:	±0.05% full scale/°F
Thermal Effect On Span:	±0.02% full scale/°F

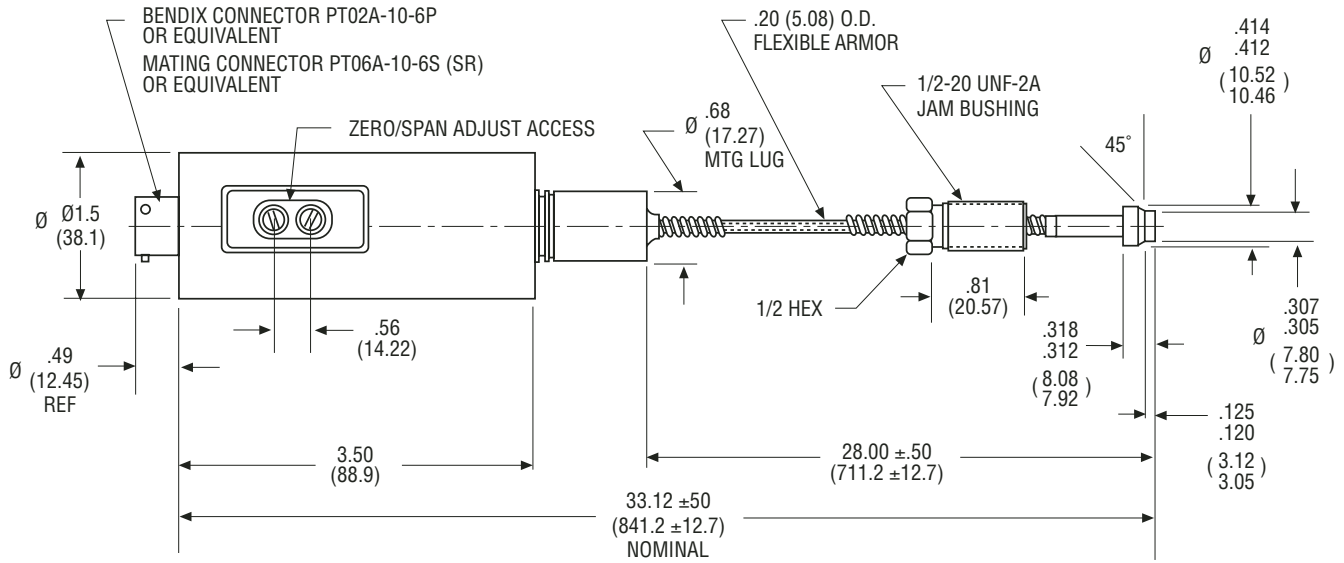
Electrical Characteristics

PT4655XL:	
Output:	0 to 5 Vdc
Input Voltage:	11 to 32 Vdc or ±12 to ±16 Vdc
Load Resistance:	2,000 Ohms minimum
Zero Balance Adjustment Range:	±15%
Span Adjustment Range:	±15%
PT4655BXL:	
Output:	Output: 1 to 6 Vdc
Input Voltage:	11 to 32 Vdc or ±12 to ±16 Vdc
Load Resistance:	2,000 Ohms minimum
Zero Balance Adjustment Range:	±15%
Span Adjustment Range:	±15%
PT4656XL:	
Output:	0 to 10 Vdc
Input Voltage:	16 to 32 Vdc or ±14 to ±16 Vdc
Load Resistance:	2,000 Ohms minimum
Zero Balance Adjustment Range:	±15%
Span Adjustment Range:	±15%
PT4656BXL:	
Output:	1 to 11 Vdc
Input Voltage:	16 to 32 Vdc or ±14 to ±16 Vdc
Load Resistance:	2,000 Ohms minimum
Zero Balance Adjustment Range:	±15%
Span Adjustment Range:	±15%

Ordering Guide for PT4655XL & PT4656XL Series



Dimensions



All dimensions are in inches (millimeters) unless otherwise specified



Azurr-Technology, s.r.o.

Dolní Bečva 579 Tel.: +420 571 647 228
 756 55 Tel.: +420 571 647 310
 Česká republika Email: info@azurr-tech.cz
 www.azurr-tech.cz



Všechny rozměry jsou uvedeny v palcích (mm), pokud není uvedeno jinak. © 2016.
 Společnost Dynisco si vyhrazuje právo provádět změny bez předchozího upozornění.
 Přístupy k dokumentům jako jsou návody k obsluze a jiné podpůrné dokumenty
 naleznete na www.dynisco.com
 Rev:1216