

BP 520 Burst Plugs with Burst Indication

Reliable, Secure Pressure-Relief System



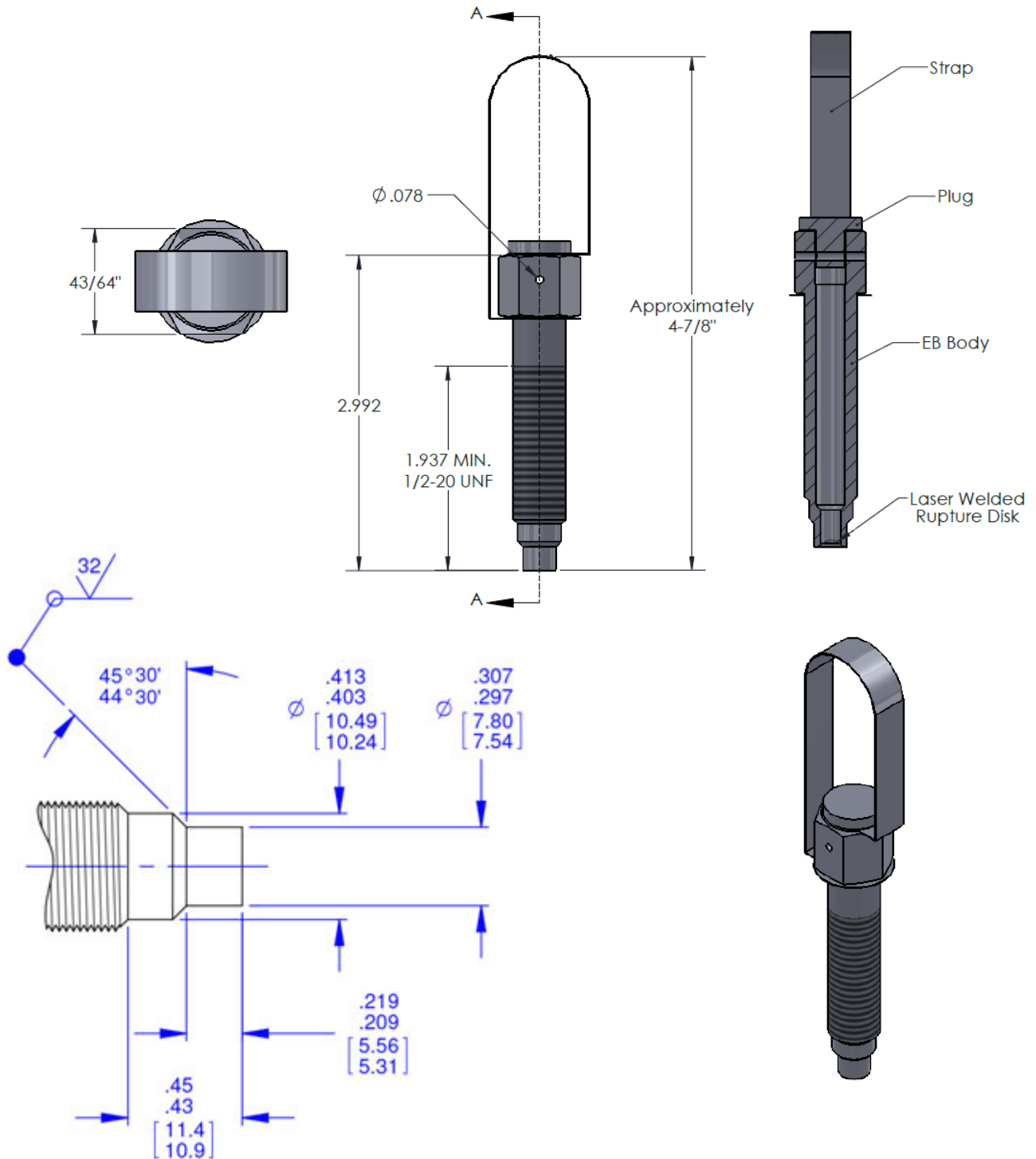
Description

The Dynisco Model BP520 burst plugs are custom assemblies with pop-top burst indication that are a design option on extruder barrel assemblies. Burst Plugs (also known as rupture disks) are designed for reliable, emergency relief of excess pressure in a system. The Model BP520 is installed on barrel bodies with hex ends, where the hex OD (across flats) is larger than the burst plug body. The metal retainer strap is held in place by the hex and the metal 'T' shaped cap is fastened to the other end of the strip. A 2mm hole is drilled through the body and cap. A burst indicator wire is passed through the hole and when the disk ruptures, the T-cap 'pops open' shearing off the BI wire and indicating a burst to the control system.

Features

- Each welded assembly consists of a threaded tubular body with a rupture disk welded onto the process end
- Welded one piece assembly – no degradation of joint strength at elevated temperatures
- Iconel rupture disk – stable through a wide range of temperatures
- Burst ratings 750 to 15,000 psig (for higher pressures contact Dynisco)
- Burst tolerance $\pm 10\%$
- Typical Standard Deviation is $\pm 1\%$
- 100% leak tested
- 100% electronic thread verification

Dimensions



©2016. Dynisco reserves the right to make changes without notice.
 Refer to www.dynisco.com for access to Operator Manual and other support documentation.
 DSBPINDICATOR 0416



Azurr-Technology, s.r.o.

Dolní Bečva 579 Tel.: +420 571 647 228
 756 55 Tel.: +420 571 647 310
 Česká republika Email: info@azurr-tech.cz
www.azurr-tech.cz



Všechny rozměry jsou uvedeny v palcích (mm), pokud není uvedeno jinak. © 2016.
 Společnost Dynisco si vyhrazuje právo provádět změny bez předchozího upozornění.
 Přístupy k dokumentům jako jsou návody k obsluze a jiné podpůrné dokumenty
 naleznete na www.dynisco.com
 Rev:1216