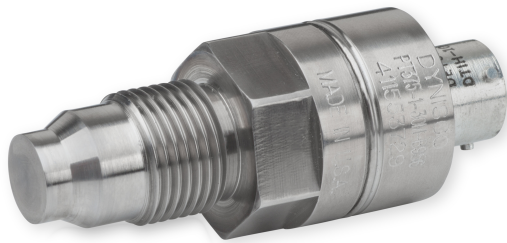


# PT375 Flush Diaphragm High Pressure Transducer

*IDEAL FOR SLURRIES AND VISCOUS*



## Description

The Dynisco PT375 pressure transmitter is designed for applications requiring zero volume pressure port, fast response time, and stringent cleanability standards. The metal-to-metal high pressure seal offers reliable pressure measurements of slurries, viscous liquids and other media that can be homogenized.

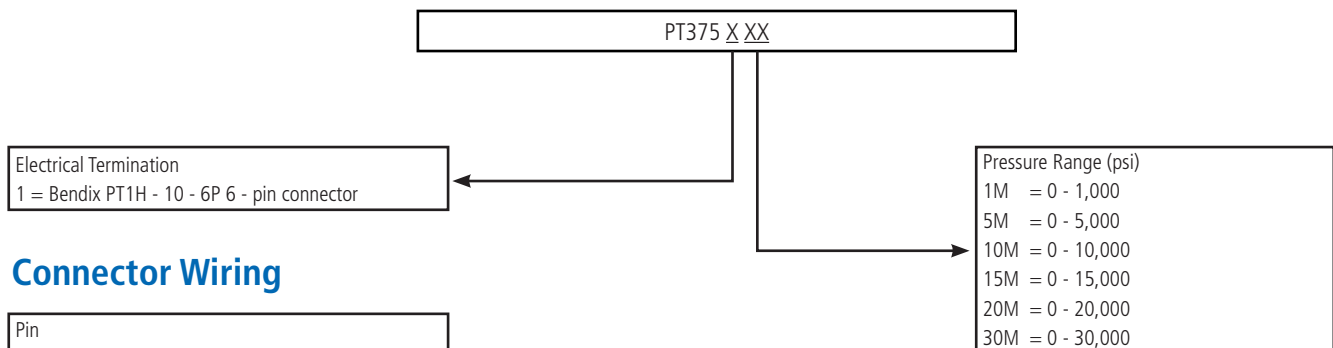
## Features

- 3 mv/v full scale output
- Accuracy  $\pm 0.50\%$
- Pressure ranges 0-1,000 PSI to 0-30,000 PSI
- Iconel 718 pressure fitting
- Zero volume pressure port
- Meets cleanability standards
- Metal-to-metal pressure seal
- Internal 80% shunt calibration

Performance Characteristics	
Pressure Range (psi):	0 - 1,000, 0 - 5,000, 0 - 10,000, 0 - 15,000, 0 - 20,000, 0 - 30,000
Accuracy:	±0.5% FSO including linearity, hysteresis, and repeatability
Electrical Characteristics	
Input Resistance:	400 Ohms ±20%
Output Resistance:	370 Ohms ±10%
Internal Shunt Calibration:	80% FSO ±1%
Excitation:	10 Vdc recommended, 15 Vdc maximum
Full Scale Output:	3 mV/V ±2%
Zero Balance:	±2% FSO
Insulation Resistance:	1,000 megohms @ 50 Vdc

Temperature Characteristics	
Operating Range:	-65°F to +250°F (-54°C to +120°C)
Compensated Range	0°F to 250°F (-18 to +120°C)
Temperature Effect On Zero:	±0.01% full scale/°F (0.018% full scale/°C)
Temperature Effect On Span:	±0.02% full scale/°F (±0.036% full scale/°C)
Mechanical Characteristics	
Safe Overpressure:	1000 - 15,000 psi: 2 x rated pressure 20,000 - 30,000 psi: 1.3 x rated pressure
Burst Pressure:	1000 - 15,000 psi: 3 x rated pressure 20,000 - 30,000 psi: 2 x rated pressure
Wetted Material:	Inconel 718
Cover Material:	303, 304 stainless steel
Weight:	5 ounces
Mounting Torque:	1000 - 10,000 psi: 50 ft./lb. 15,000 - 30,000 psi: 100 ft./lb.

### Ordering Guide for PT375 Pressure Transducer

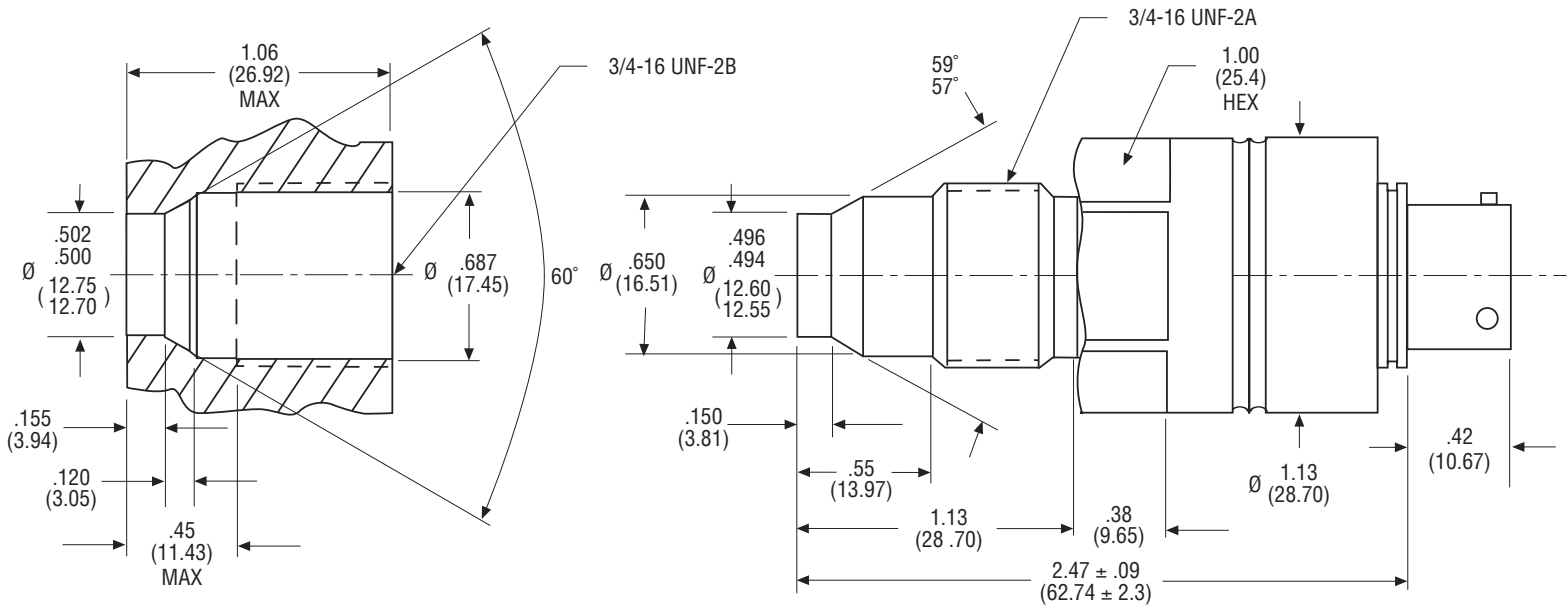


### Connector Wiring

Pin
A = Signal+
B = Signal-
C = Excitation+
D = Excitation-
E, F = Int. Shunt Cal.

Mating connector PN/711600 or 6 - pin cable assembly sold separately. For additional options please consult factory.

## Dimensions



All dimensions are inches (mm) unless otherwise specified.



**Azurr-Technology, s.r.o.**

Dolní Bečva 579 Tel.: +420 571 647 228  
 756 55 Tel.: +420 571 647 310  
 Česká republika Email: info@azurr-tech.cz  
 www.azurr-tech.cz



Všechny rozměry jsou uvedeny v palcích (mm), pokud není uvedeno jinak. © 2016.  
 Společnost Dynisco si vyhrazuje právo provádět změny bez předchozího upozornění.  
 Přístupy k dokumentům jako jsou návody k obsluze a jiné podpůrné dokumenty  
 naleznete na [www.dynisco.com](http://www.dynisco.com)  
 Rev:1216