

## Dynisco Melt Temperature Probe Series DYKE

### Description

The Dynisco Melt Thermocouple Series DYKE is especially designed to meet the requirements of the polymer industry. The flexible design of this series allows the use in extrusion and injection molding process.

The mounting thread is compatible with the threads used for melt pressure measurement. Therefore, the DYMT series is ready for use in most extrusion systems.

As an alternative to the DYM T series, the DYKE series offers the possibility of a thermal insulation of the housing. The sensor tip is being ceramically insulated from the housing.

These temperature sensors are especially suitable for the use in high abrasive medial.

### Features

- Rugged design
- Designed especially for the polymer industry
- 1000 bars max. pressure
- Various TC and RTD
- Various threads available
- DYNISCO pressure transducer mounting hole compatible
- Electrical connection: DIN connector (PT100) or 2-wire thermocouple

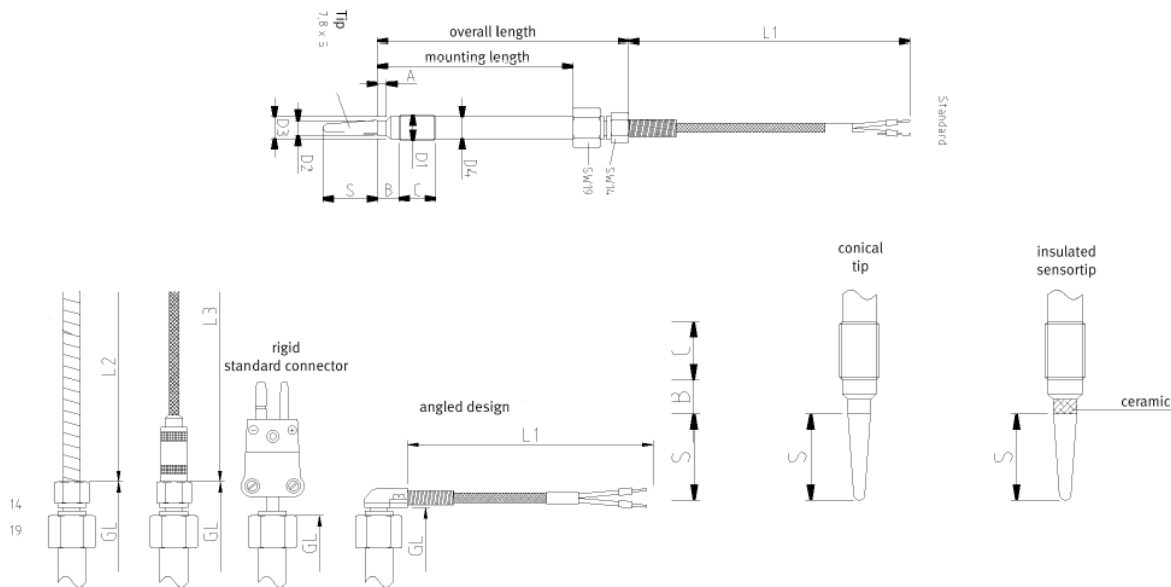


## Technical Data / Operating Data

<b>Thread:</b>	1/2"-20 UNF, M18 x 1.5 or M14 x 1.5
<b>Stem Length:</b>	152 mm standard, others on request
<b>Mounting Thread:</b>	rotary, if ceramically insulated rigid
<b>Blade Length:</b>	several lengths from 5 - 25 mm, in 5 mm-steps available
<b>Sensortip:</b>	conical, selecatable ceramical insulation
<b>Material in Contact with Media:</b>	Mat. No 1.4571
<b>Electrical Characteristics</b>	
<b>Thermocouple:</b>	J, K, L, other types on request
<b>RTD:</b>	wireable as 2-, 3- or 4-wire
<b>Connector:</b>	IEC-Connector for Thermocouples, DIN-Connector for RTD
<b>Pipe Connection:</b>	Straight or 90° angled
<b>Cable Length:</b>	150 mm, others on request

Use in hazardous environments with suitable accessory equipment possible

## Dimensions



D1	D2	D3	D4	D5	A	B	C	SW	S
1/2-20UNF-2A	7.8 <sup>-0.05</sup>	10.5 <sup>-0.05</sup>	11 <sup>-0.5</sup>	12.5	5.3 <sup>+0.25</sup>	11	16	19	5 - 30
M18 x 1.5	10 <sup>-0.05</sup>	16 <sup>-0.1</sup>	16 <sup>-0.5</sup>	17.5	6 <sup>-0.25</sup>	14	20	19	5 - 30

CE EAC

**Dynisco**

**AZURR  
TECHNOLOGY**

**Azur Technology, s.r.o.**

Dolní Bečva 579 Tel.: +420 571 647 228  
756 55 Tel.: +420 571 647 310  
Česká republika Email: info@azurr-tech.cz  
www.azurr-tech.cz



Všechny rozměry jsou uvedeny v palcích (mm), pokud není uvedeno jinak. © 2016.  
Společnost Dynisco si vyhrazuje právo provádět změny bez předchozího upozornění.  
Přístup k dokumentům jako jsou návody k obsluze a jiné podpůrné dokumenty  
naleznete na [www.dynisco.com](http://www.dynisco.com)  
Rev.:1216

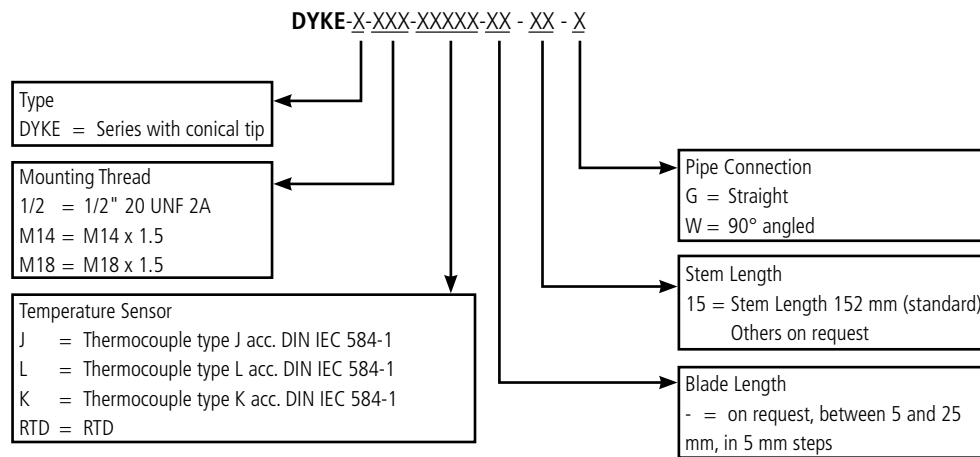
## Mounting Instructions

### Maximum mounting torque 40 Nm!

Under the following conditions:

- Avoid bending during screw into the mounting hole
- During screw out of the outer tube, avoid torsion at the inner tube
- Before mounting, ensure that the mounting hole is free from plastic residue

## Ordering Guide



CE EAC

 **Dynisco**

 **AZURR  
TECHNOLOGY**

**Azurr-Technology, s.r.o.**

Dolní Bečva 579 Tel.: +420 571 647 228

756 55 Tel.: +420 571 647 310

Česká republika Email: info@azurr-tech.cz

www.azurr-tech.cz



Všechny rozměry jsou uvedeny v palcích (mm), pokud není uvedeno jinak. © 2016.

Společnost Dynisco si vyhrazuje právo provádět změny bez předchozího upozornění.

Přístupy k dokumentům jako jsou návody k obsluze a jiné podpůrné dokumenty

naleznete na [www.dynisco.com](http://www.dynisco.com)

Rev.:1216