

MDT 420 | 422 | TDT 432 Pressure Sensors

AMPLIFIED TRANSDUCERS



Description

Dynisco's MDT-series amplified transducers convert process pressure into an amplified signal for long distance transmission free of noise interference. All models are available in 4-20 mA, 0-5 VDC and 0-10 VDC, 2-, 3- and 4-wire high level outputs. MDT 420 series of sensors 422 | TDT 432 are sensors with an accuracy of $\pm 0.5\%$ f.s.v, which are ideal for applications requiring accuracy, easy installation, repeatability and reliability. This series provides special features for applications in high noise and interference environments. It is also possible to use unshielded cables for remote transmission without interference. The sensor can be reset locally or remotely.

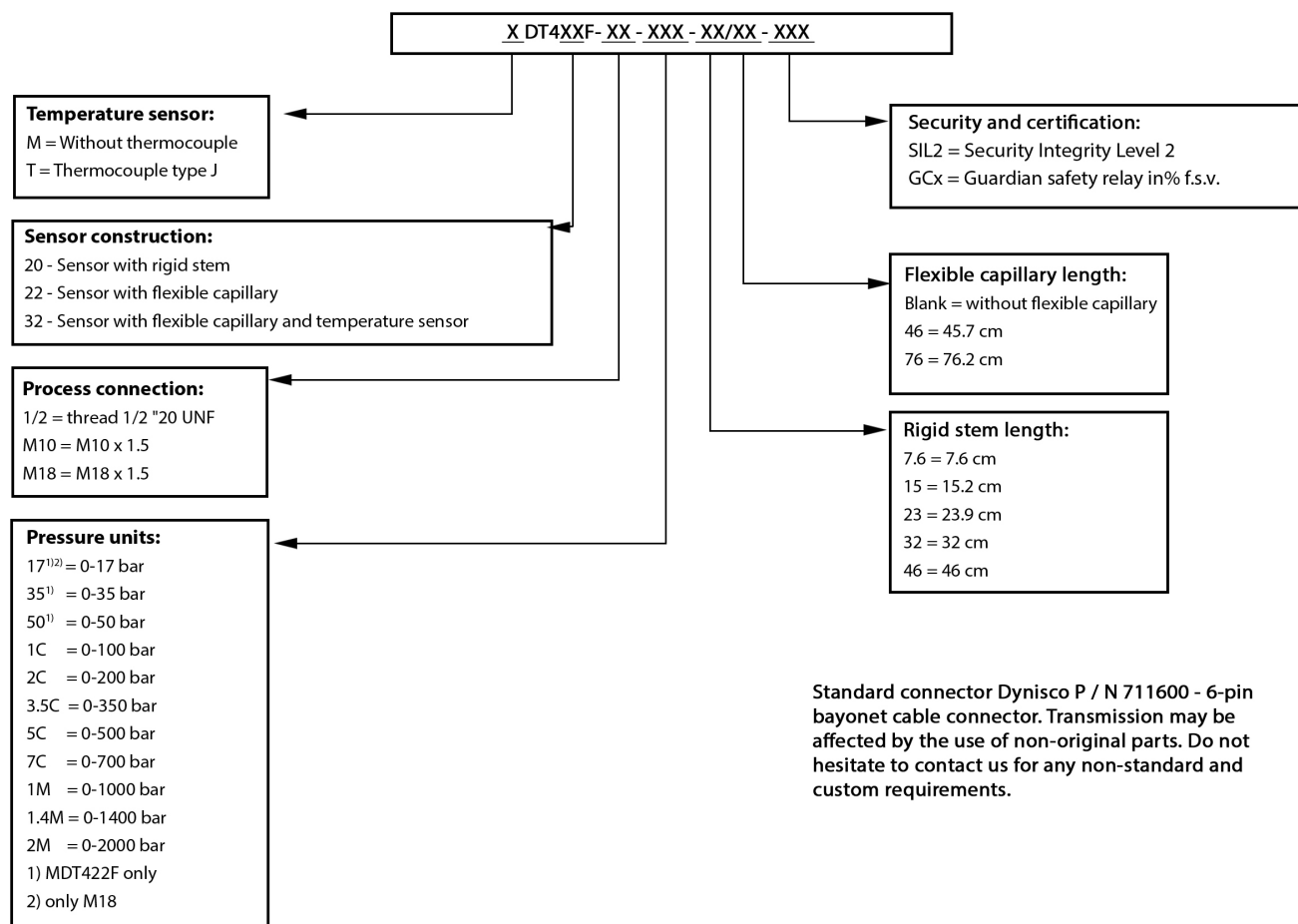
A combined TDT sensor design with optional thermocouple or RTD is available to ensure simultaneous temperature measurement in one process connection.

Features

- Installation for media temperature up to 400°C
- Flexible capillary between rigid stem and housing
- Electrical built-in calibration
- Various high level outputs
- 4-20 mA, 2-wire 0-10 V DC, 3/4-wire and other volt output signal ranges

Technical Data and Operating Data			
Pressure Range:		0 - 17 bar to 0 - 2000 bar	
Accuracy:		$\pm 0.5\%$ f.s.v. up to 50 bar $\pm 1\%$ f.s.v.	
Repeatability:		$\pm 0.1\%$ f.s.v. up to 50 bar $\pm 0.2\%$ f.s.v	
Resolution:		infinite	
Maximum Overload (without influencing operating data):		2 x pressure range for range 1000 and 1400 bar max. 1750 bar and max. 2400 bar for range 2000 bar	
Burst Pressure:		6 x pressure range max. 3000 bar	
Material in Contact with Media:		15-5 Mat. No. 1.4545, DyMAX coated	
Electrical Characteristics			
Configuration:		Four-arm Wheatstone bridge strain gage (DMS)	
Internal Shunt-Calibration:		80% fsv $\pm 1\%$	
Leakage Resistance:		1000 M Ω at 50 V DC	
MDT4X0F 2-wire mA:			
Output Signal:	4-20 mA	Supply Voltage:	10-36 V DC
Zero Balance:	2% $\pm 5\%$ of full scale adjustable	Load Resistance:	Maximum 1.2 Ω at 36 V
MDT4X0 K/L/M/N 3-wire V DC			
Output Signal:	K: 0-5 Vdc M: 1-6 Vdc L: 0-10 Vdc N: 1-11 Vdc	Supply Voltage:	15-32 V DC
Load Resistance:	K: >5 k Ω , M: >5 k Ω , L: 10 k Ω , N: >10 k Ω		
MDT4X2 G/H			
Output Signal:	G: 0-5 V DC, H: 0-10 V DC	Supply Voltage:	dual ± 10 to ± 16 V DC single 19-32 V DC
Load Resistance:	G: >5 k Ω , H: >10 k Ω		
Temperature Influence			
Diaphragm: Max. Temperature:		400°C	
Zero Shift (due to temperature change):		MDT422F X < 0.2 bar/10°C	
Housing: Max. Temperature:		85°C	
Zero Shift (due to temperature change):		$\pm 0.2\%$ FSO/10°C	
Sensitivity Shift (due to temperature change):		MDT422 X $\pm 0,1\%$ f.s.v./10 ° C až do 50 barů $\pm 0,2\%$ f.s.v./10 ° C	
Approvals and certificates			
CE:	Directive 2004/108 / EC		
ISO:	ISO 9001: 2008 production environment		
PL'c':	EN ISO 13849-1 meeting the performance requirements of the safety part of the control system for safety system safety level "c" (PL'c) when installed according to category 1		
SIL2:	Security integrity level 2		

Ordering Guide for MDT420 series



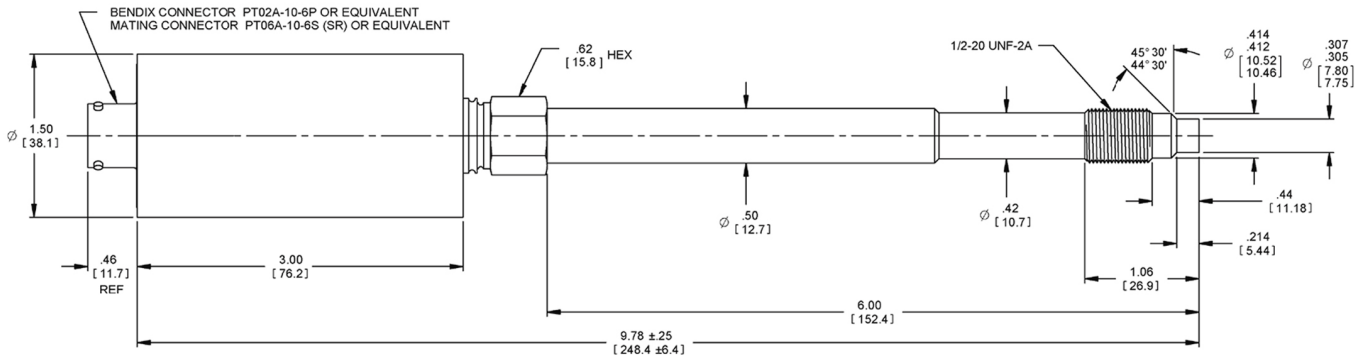
Azurr-Technology, s.r.o.

Dolní Bečva 579 Tel.: +420 571 647 228
756 55 Tel.: +420 571 647 310
Česká republika Email: info@azurr-tech.cz
www.azurr-tech.cz

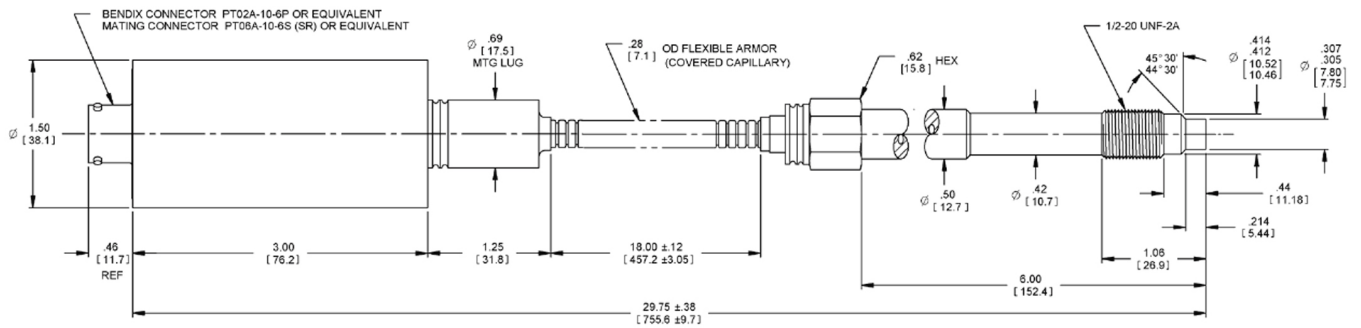


Všechny rozměry jsou uvedeny v palcích (mm), pokud není uvedeno jinak. © 2016.
Společnost Dynisco si vyhrazuje právo provádět změny bez předchozího upozornění.
Přístupy k dokumentům jako jsou návody k obsluze a jiné podpůrné dokumenty
naleznete na www.dynisco.com
Rev.:1216

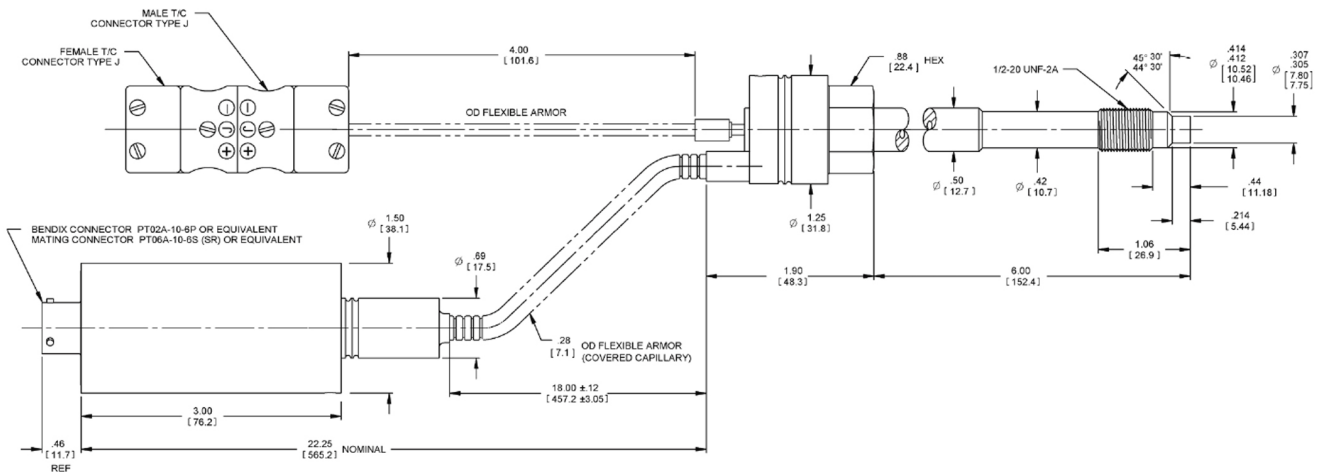
MDT 420



MDT 422



TDT 432



Azur Technology, s.r.o.

Dolní Bečva 579 Tel.: +420 571 647 228
756 55 Tel.: +420 571 647 310
Česká republika Email: info@azurr-tech.cz
www.azurr-tech.cz



Všechny rozměry jsou uvedeny v palcích (mm), pokud není uvedeno jinak. © 2016. Společnost Dynisco si vyhrazuje právo provádět změny bez předchozího upozornění. Přístupy k dokumentům jako jsou návody k obsluze a jiné podpůrné dokumenty naleznete na www.dynisco.com Rev.:1216